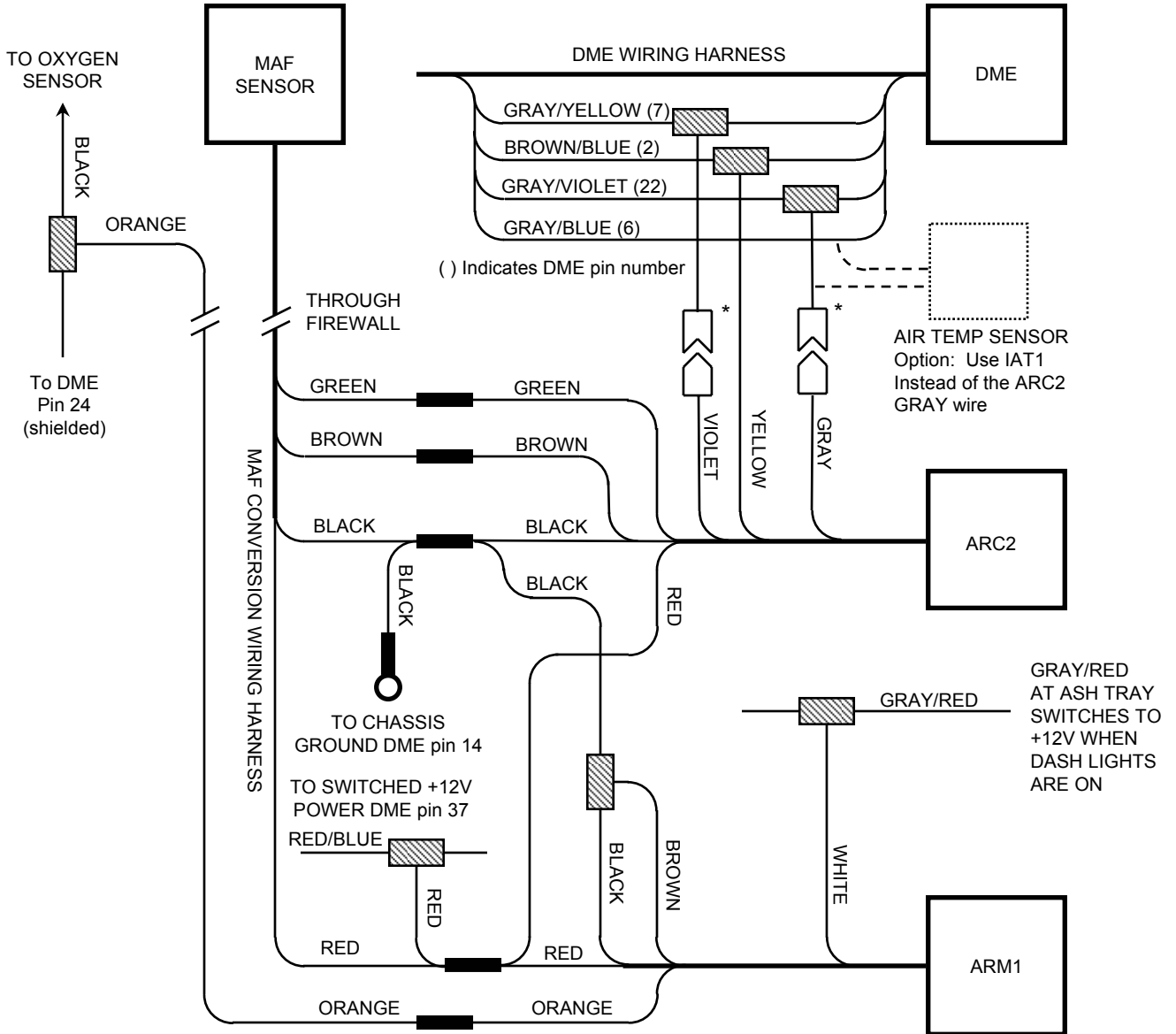






Wiring For MAF Conversion on 3, 5, 6, 7 series BMW using ARC2



-  BUTT SPLICE CONNECTOR
-  RING CRIMP CONNECTOR
-  INSTANT SPLICE CONNECTOR
-  IN-LINE CONNECTOR

* NOTE: IN-LINE CONNECTORS MUST BE DISCONNECTED IF THE STOCK AIR FLOW METER IS RECONNECTED