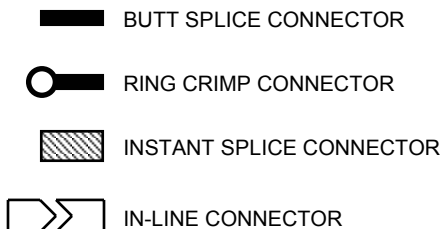
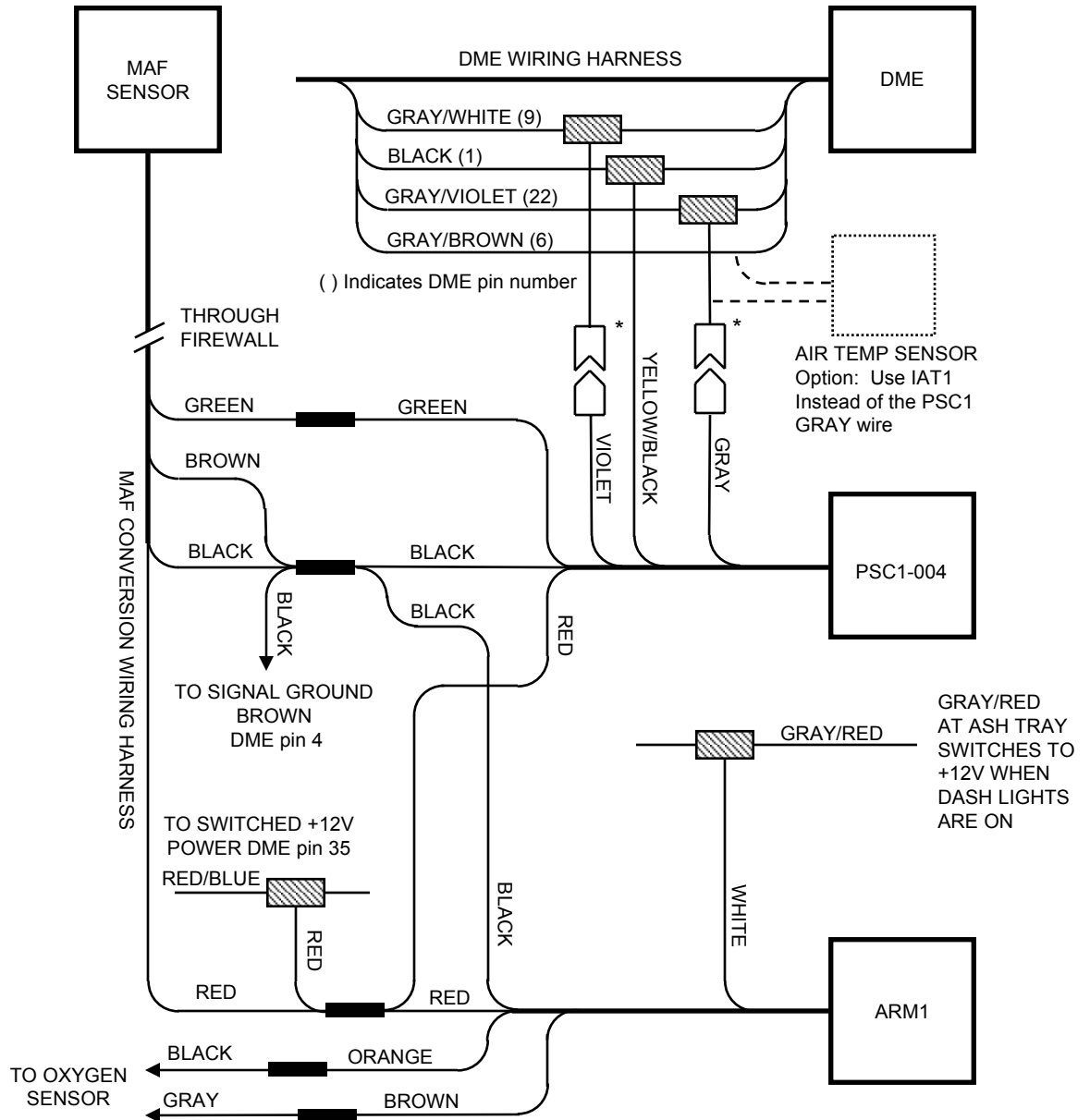


Wiring For MAF Conversion on M635csi BMW using PSC1-004



* NOTE: IN-LINE CONNECTORS MUST BE DISCONNECTED IF THE STOCK AIR FLOW METER IS RECONNECTED