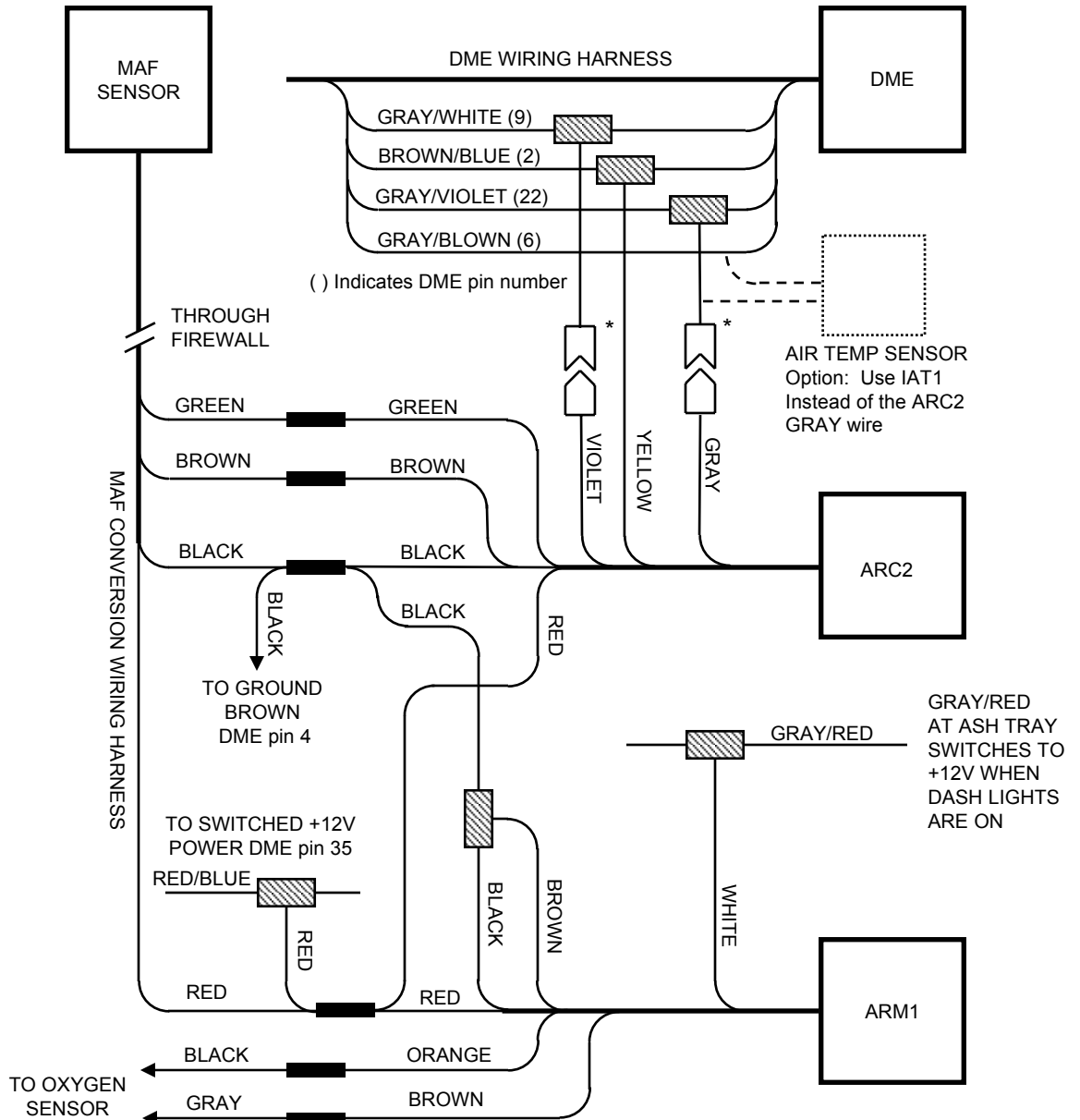


Wiring For MAF Conversion on M635csi BMW using ARC2



 BUTT SPLICE CONNECTOR

 RING CRIMP CONNECTOR

 INSTANT SPLICE CONNECTOR

 IN-LINE CONNECTOR

*
NOTE: IN-LINE CONNECTORS
MUST BE DISCONNECTED IF THE
STOCK AIR FLOW METER IS
RECONNECTED